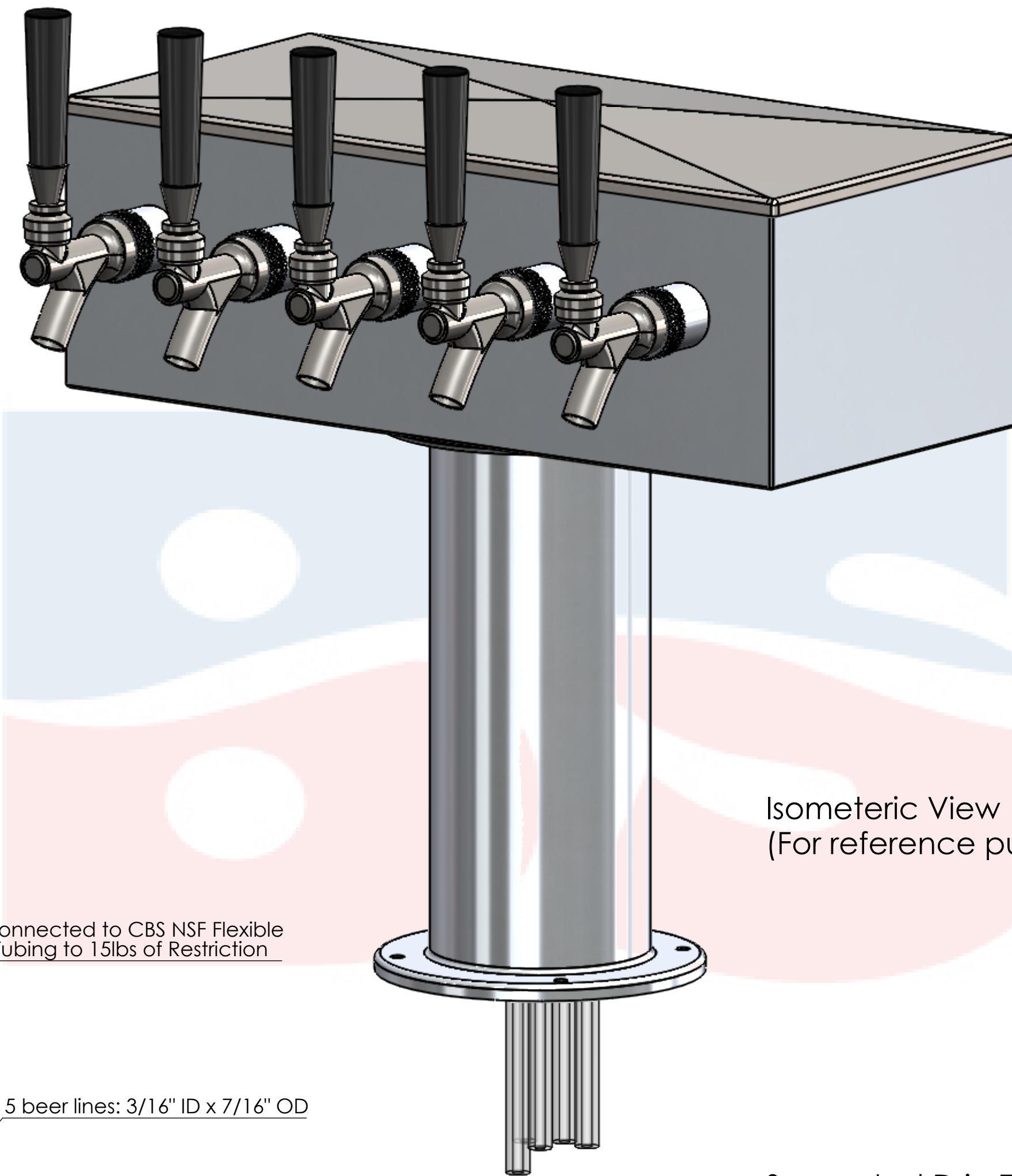
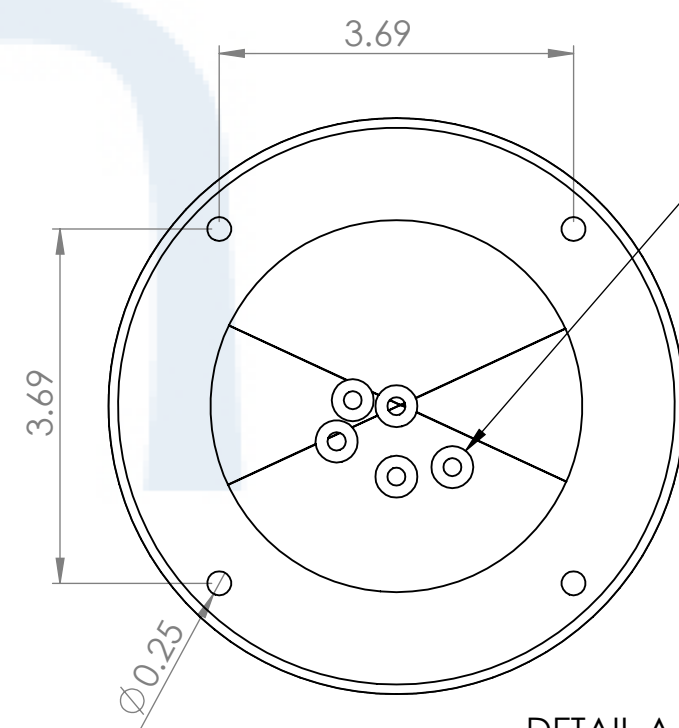
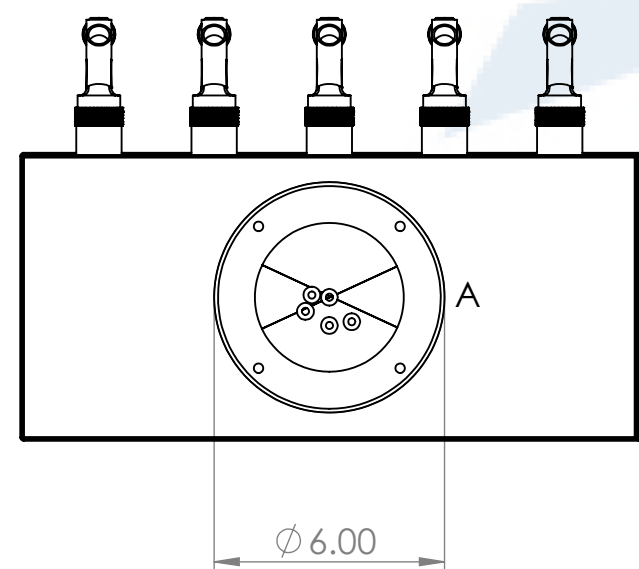


304SS tube connected to CBS NSF Flexible Total Barrier Tubing to 15lbs of Restriction



Isometric View
(For reference purpose)



DETAIL A
SCALE 1 : 2

Suggested Drip Tray:
BB701316 - 16" x 7" BSS Drip Tray
BB702416 - 16" x 7" BSS Spray Drip Tray



Name		Date		Title:	
Drawn by:	Canadian Beverage Supply Inc.	07/15/2020		5 TAP 4" T - TOWER	
Approved by:	VP Sales				
Material:	304 SS	Finish:	Brushed SS	Part Number:	Revision:
Unless otherwise mentioned, dimensions are inches				BB102020-05	
SCALE: 1:5				SHEET 1 OF 1	